

# KS1: Structures- Build a Plant Pot

## Key Vocabulary

<b>Strong</b>	A structure that can support itself and hold its contents.
<b>Stable</b>	A structure that sits level to the ground
<b>Durable</b>	A structure that is resistant to different forms of weather.
<b>Watertight</b>	A structure that holds the water that is poured into it.
<b>Accurate</b>	Measurements that are the same as those in a design.

## Research

Plant pots have a range of different uses

They can either be used for just practical purposes, such as those that you may find at *Homebase* or *Ikea*:



Or for more ornamental reasons, using them instead for decoration. These often look more modern, contemporary designers to research should be such as *Zaha Hadid* or *Hani Rashid*.



Zaha Hadid



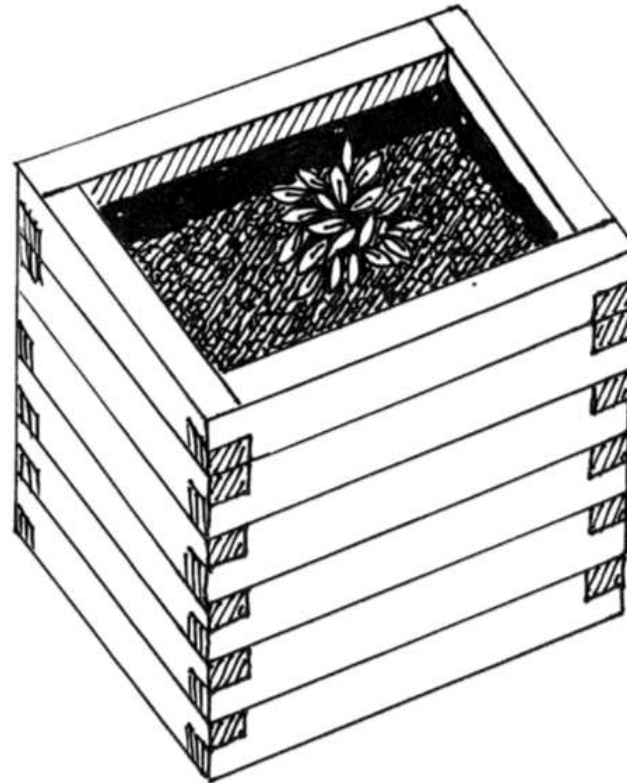
Hani Rashid.

## Key Research Questions

- What are the purposes of such a range of pots?
- What makes an effective container for a plant pot?
- How important is interesting design when it comes to a plant pot?

## The Project

<b>Introduction</b>	This project is designed to introduce you to working with wood and understanding how to join and, where necessary, reinforce a simple structure.
<b>Purpose for Project</b>	To help the school in growing produce to be used in the kitchens, therefore ensuring produce is locally sourced.



## Design

<b>3D Drawings</b>	<p><b>Step 1:</b> Draw 2 squares and then connect the bottom left corner of the first square to the bottom left corner of the second square. Do this for every corner.</p> <p><b>Step 2:</b> Then erase the lines except the one line that is coming down from the top right corner. To show depth, shade the inside of the box.</p>
<b>Labelling</b>	<p>Using the key vocabulary, label the key components of the structure with a ruler.</p>
<b>Drawing</b>	<p>Create simple and appropriate designs to decorate the outside of your plant pot</p>

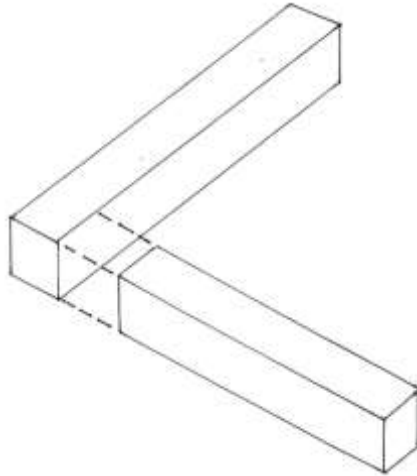
## Make

### Butt Joints

A butt joint is two pieces of woods sticking together by using wood glue.

This will form each joint in your structure.

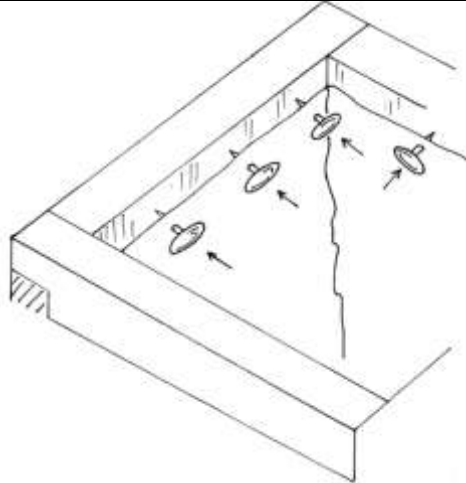
You can use masking tape as a method to help reinforce the joints.



### Joining other materials

To create the lining to ensure the pot is watertight, you will be using black lining inside the pot.

To join the black lining to the pot use tacs and push or hammer them in to the pot.



## Evaluate

### You will learn how to

Use your own opinion to decide if you like your project and why.

Use some the design criteria, based on your research and designs, to think how successful you have been.

Begin considering what you could have changed based on your own design criteria